

# COSATTO

baby stuff with personality



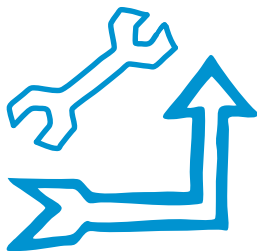
squidgy, dazzling, compact

dinner time  
hero

NOODLE  
SUPA

.....  
NITTY  
GRITTY

HIGHCHAIR



...[www.cosatto.com](http://www.cosatto.com)

Cosatto Ltd, Bentinck Mill, Bentinck Street, Farnworth, Bolton, BL4 7EP, England  
Tel: +44(0)871 977 3900 Fax: +44(0)871 977 3910 Email: [enquiry@cosatto.com](mailto:enquiry@cosatto.com)



NEVER LEAVE THE  
CHILD UN ATTENDED



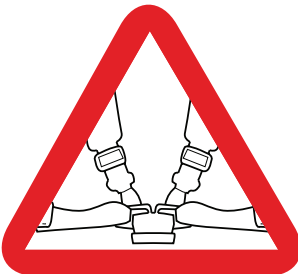
ALWAYS FOLLOW THE  
INSTRUCTIONS PROVIDED



NEVER ALLOW THE  
CHILD TO ROCK IN  
THE HIGHCHAIR



NEVER ALLOW ANY  
CHILD TO HANG OR CLIMB  
ON THE HIGHCHAIR



ALWAYS USE A  
CORRECTLY FITTED  
SAFETY HARNESS



NEVER MOVE OR  
ADJUST THE HIGHCHAIR  
WITH THE CHILD IN IT



# IMPORTANT: RETAIN FOR FUTURE REFERENCE. READ CAREFULLY. YOUR CHILD'S SAFETY MAY BE AFFECTED IF YOU DO NOT FOLLOW THESE INSTRUCTIONS

## user guide

---

Thank you for choosing a Cosatto product. Please take a little time to read the important safety notes detailed below. This will ensure many years of happy, safe use.

### safety: take note

---

## WARNING: A CHILD'S SAFETY IS YOUR RESPONSIBILITY

- **WARNING:** Only suitable for children who are able to sit up unaided (approximately 6-9 months) up to 36 months.
- **WARNING:** Never leave your child unattended.
- **WARNING:** Make sure the harness is fitted correctly.
- **WARNING:** Do not use the highchair unless all the components are correctly fitted and adjusted.
- **WARNING:** Be aware of the risk of open fire and sources of strong heat, such as bar fires, gas fires etc in the vicinity of the highchair.
- Do not use the highchair if any part is broken, torn or missing. Only use spare parts approved by Cosatto.
- Never lift the highchair or adjust the seat height with the child sat in it.
- Do not leave near any products that could present a danger of suffocation or strangulation, e.g. strings, blinds/curtains cords etc.
- The tray is not designed to hold the child into the chair.
- Ensure all users are familiar with the products operation.
- Only use on a flat stable surface.
- Ensure children are clear of all moving parts before making any adjustments.
- Do not allow your child to climb unassisted into, play with or hang onto your highchair. This is not a toy.
- All additional hazards such as electrical flex should be kept out of reach of the child in the highchair.
- Adult assembly required.
- Keep small parts out of the reach of children under 36 months because of possible choking hazard.
- Complies to BS EN 14988 : 2006 + A1 : 2012.

## care & maintenance

---

- Ensure all locking devices work correctly & regularly check the locks, screws & fittings for security.
- DO NOT use spray lubricants, simply wipe clean after use.
- For wash care instruction please refer to the wash care marking on the seat cover.

# operation

---

## 1 - list of parts

Your highchair is supplied in one carton and contains:

- |                            |              |                 |
|----------------------------|--------------|-----------------|
| 1. Highchair seat assembly | 5 Rear foot  | 8 Inner tray    |
| 2. LH leg                  | 6 Screw (x2) | 9 Outer tray    |
| 3. RH leg                  | 7 Stopper    | 10 Pommel cover |
4. Front foot - The front foot has a red dot sticker at the rear (a)

## 2 - assembling the highchair - 1

Noting the orientation, fit the legs (2 & 3) to the highchair seat assembly (1) by pushing the legs into the seat height adjusters (a & b).

Press the buttons on each hinge (c) and open the rear legs (d). Push the rear legs outward until the legs lock into position (e).

## 3 - assembling the highchair - 2

Press the button on each seat height adjuster (a) and lift the seat to its highest position (b). The number 1 should be visible in the height adjuster window (c).

Fit the stoppers (7) with screws (6) to the back of the front legs.

## 4 - assembling the highchair - 3

Fit the front foot (4) The front foot has a red sticker at the rear. Push in the spring loaded pins (a) on each side then fit the ends of the foot into the bottom of the front legs (b) until the spring loaded pins locate in the holes in the front legs (c).

Repeat this procedure with the rear foot (5).

## 5 - raising and lowering the backrest

The backrest has 3 recline positions.

To the position of the backrest, lift the lever at the back of the seat (a) and raise or lower the backrest to the desired position (b). Release the lever. The backrest should then locate into one of the 3 sets of slots at the rear of the armrests (c).

## 6 - adjusting the footrest


The footrest can be set at 3 positions. Press down the levers (a) on both sides simultaneously then raise or lower (b) the footrest to the desired position. Release buttons (a) then move the footrest slightly until it locks in position.

## 7 - adjusting the height of the seat

Press the button on each seat height adjuster (a) to lower the seat (b). Pull the seat height adjusters upwards to raise the seat (c). The seat has 6 height positions, position 1 being the highest. The seat height is shown in a window in the seat height adjusters (c). Ensure the same seat height number as the same on each side of the highchair.

## 8 - fitting the tray

Pull the lever underneath the tray back (a) then slide the tray (9) into the channels on the sides of the armrests (b). Release the lever then move the tray slightly until it locks in place.

**WARNING:** Ensure the tray is pushed far enough into the highchair. Numbers on top of the armrests show the position of the tray. **NEVER** use the tray if the  symbol is visible.

Check the security of the tray before use by pulling it outwards slightly.

## 9 - removing the inner tray

To remove the inner tray (8) pull the clips out on both sides (a) then lift the inner tray off the tray (b).

To refit the inner tray place over the tray and push down on the clips until the inner tray locks in place.

Press down at the front and back (c) to secure the centre of the inner tray

## **10 - storing the tray to the highchair legs**

When not in use, the tray can be clipped to the rear legs of the highchair.

Place the tray on to the legs as shown. The pins in the tray fit to the holes on the legs (a). Once fitted, push the tray down (b) to lock the tray in place.

To remove the tray, lift the tray upwards and pull the tray away from the legs.

## **11 - using the harness**

A five point harness is provided to restrain your child. To unfasten push the button on the buckle (a) and pull the clips clear.

To fasten the harness push the waist strap clips into the buckle until they lock in place (b).

Sliding adjusters are fitted on the shoulder straps and waist straps (c). The harness should be carefully adjusted so that it fits your child comfortably.

To adjust the shoulder strap height or to remove the harness, flatten the butterfly ends and pass through the slots in the seat (d). To refit the straps, flatten the butterfly ends, pass the ends through the slots in the seat then open the butterfly ends out (e).

## **12 - storing the highchair**

Lower the seat (See step 7). It is recommended to lower the seat to the lowest height position for storage purposes.

Fit the tray to the rear legs (See step 10).

Press buttons (a) on each hinge then push the rear legs towards the front legs (b) until they lock in the folded position.

## **13 - removing the pommel**

As your child grows the pommel may no longer be required and will need to be removed. A pommel cover (10) is supplied as a replacement.

Under the seat, remove the 2 screws (a) securing the pommel.

Lift the cover off the pommel. Angle the pommel back (b) then pull the pommel forward (c) and remove from the seat. Store the pommel in a safe place in case it's needed for future use.

Push the tab on the cover into the slot in the seat (d).

Under the seat, refit the 2 screws (e) to secure the cover.

## **14 - removing the seat cushion for cleaning**

Feed the harness straps through the slots in seat and seat cushion on the back and under the seat (a) and remove the harness.

Release the flaps on either side of the arm rests by pulling the clips off the underside off the armrests (b).

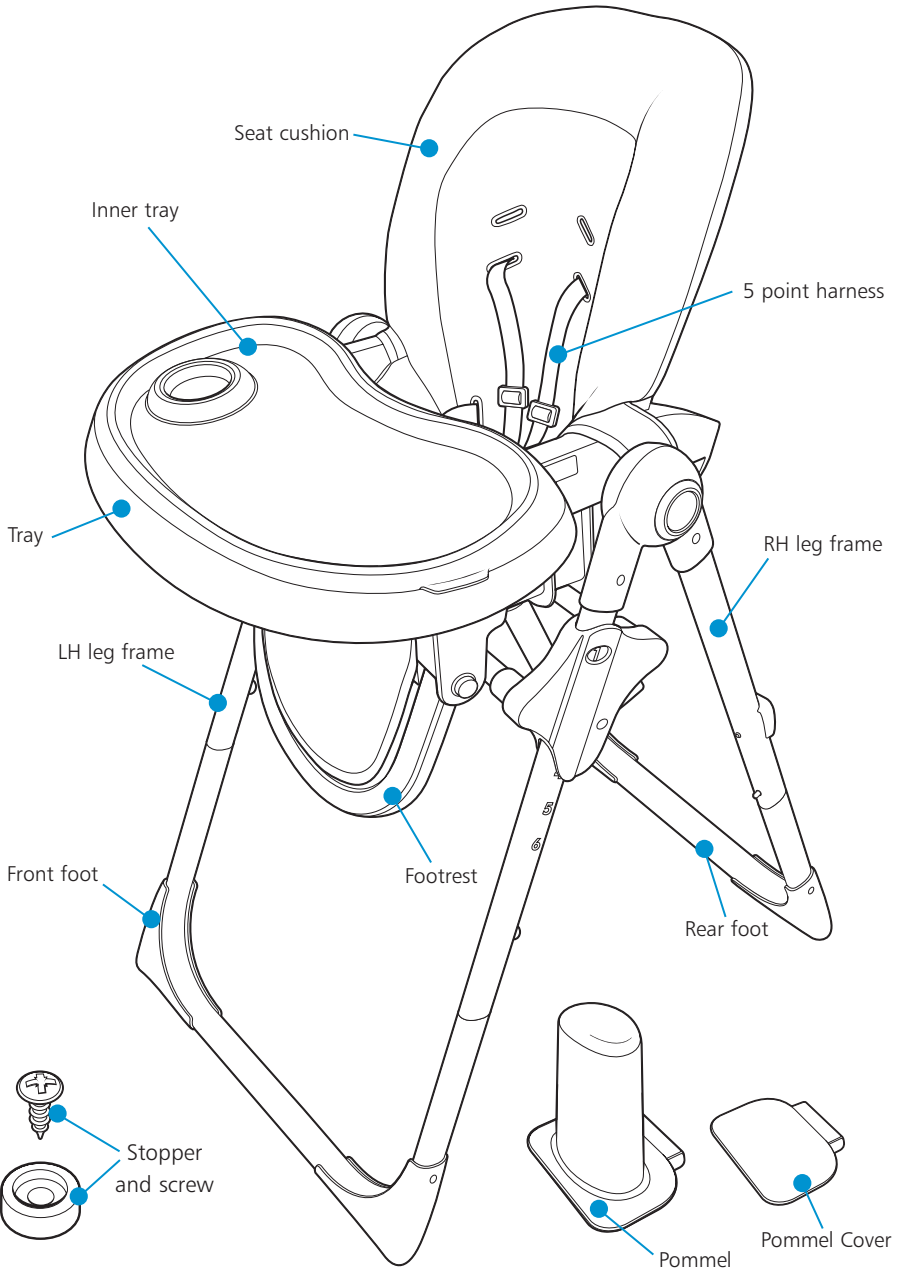
Lift the cover off the seat (c).

Refitting the seat cushion is a reversal of this procedure. When refitting the harness ensure the butterflies on the ends of the harness straps are opened out correctly (d).

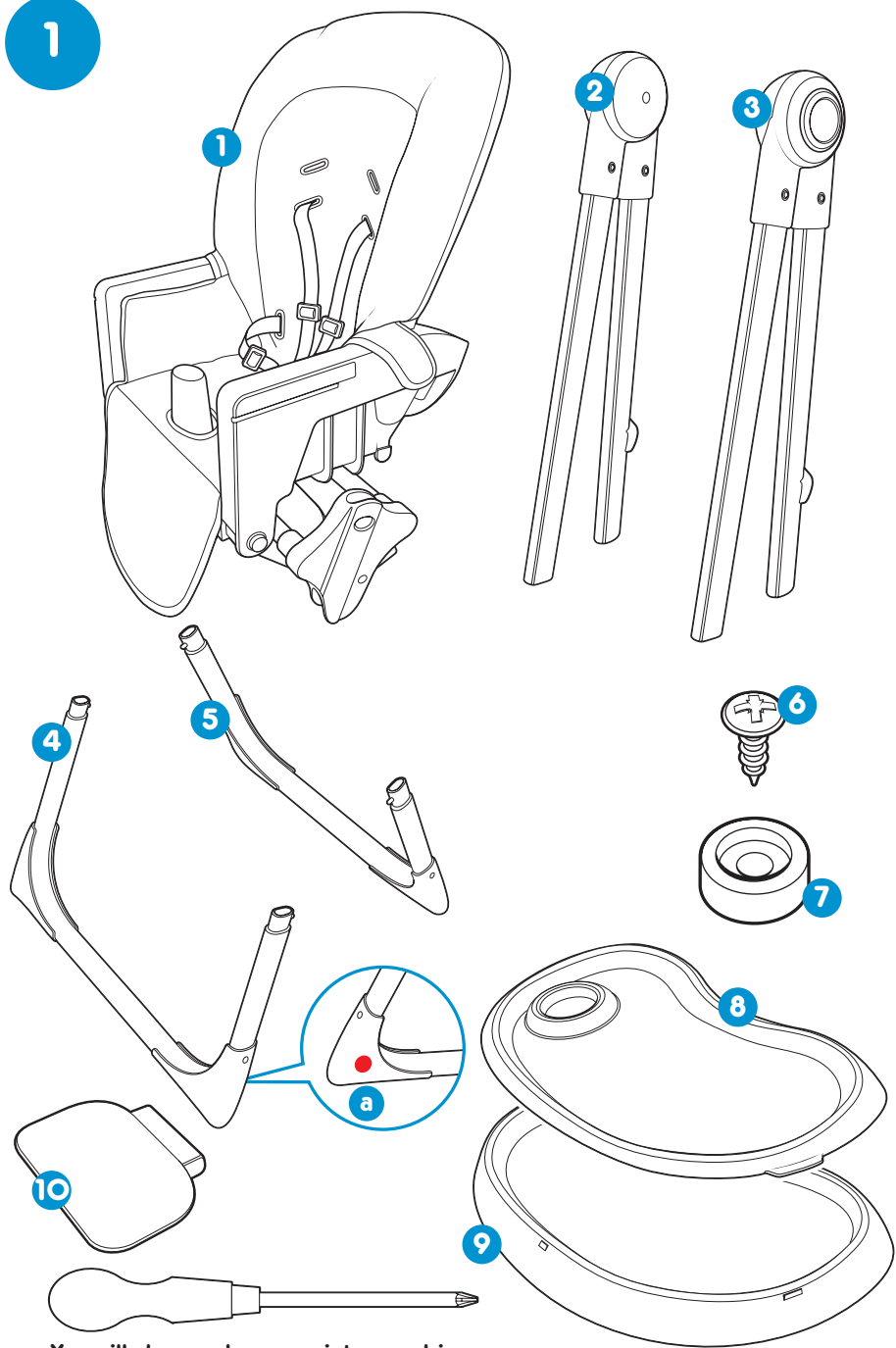
## replacement parts

The replacement parts shown below are available for your product. In the event that you require any of these parts, please contact your local distributor. For the contact information for your local distributor please refer to <http://www.cosatto.com/stockists>

If you are a UK or Ireland customer, please contact us at [spares@cosatto.com](mailto:spares@cosatto.com)

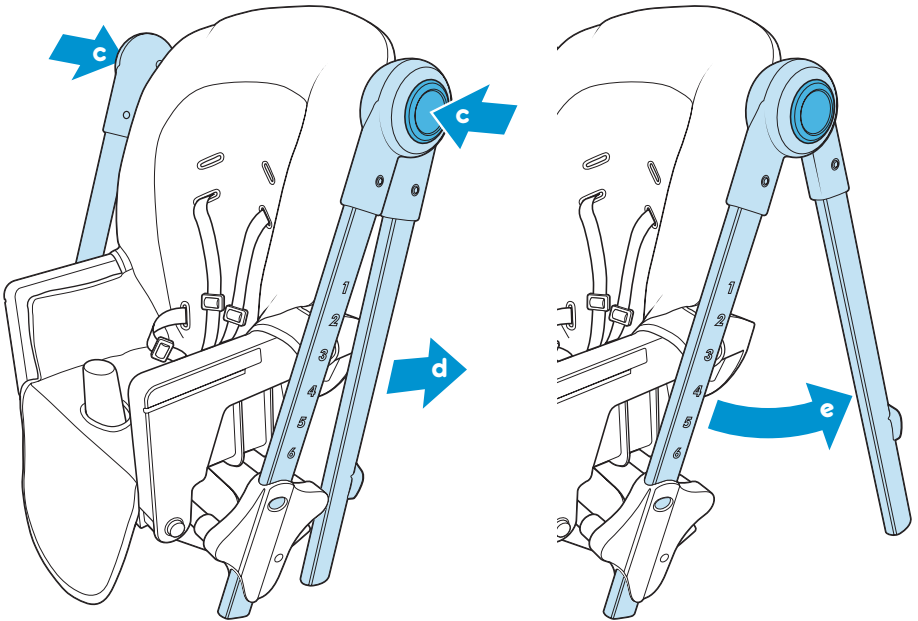
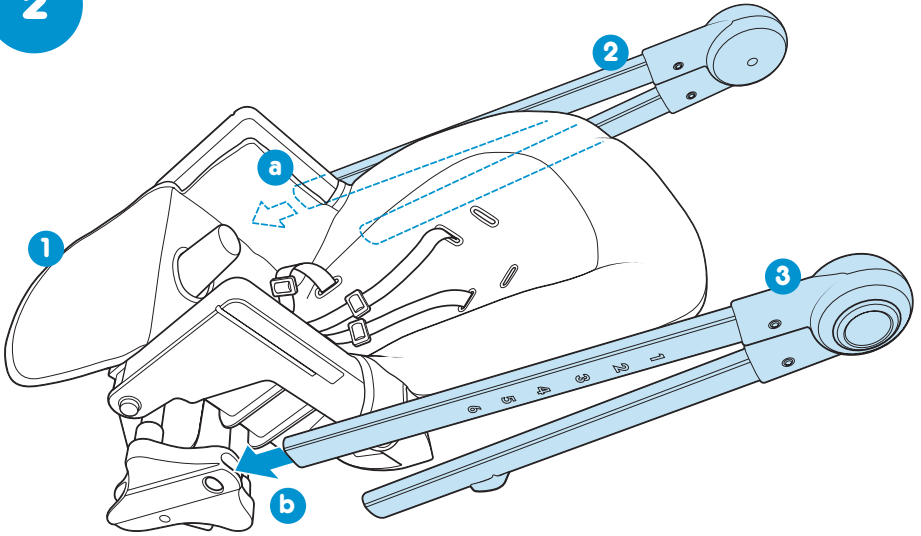


1



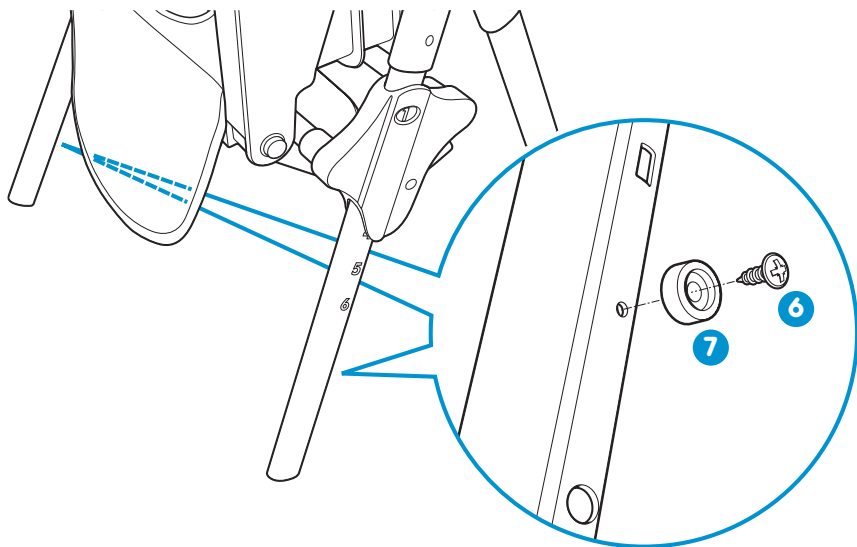
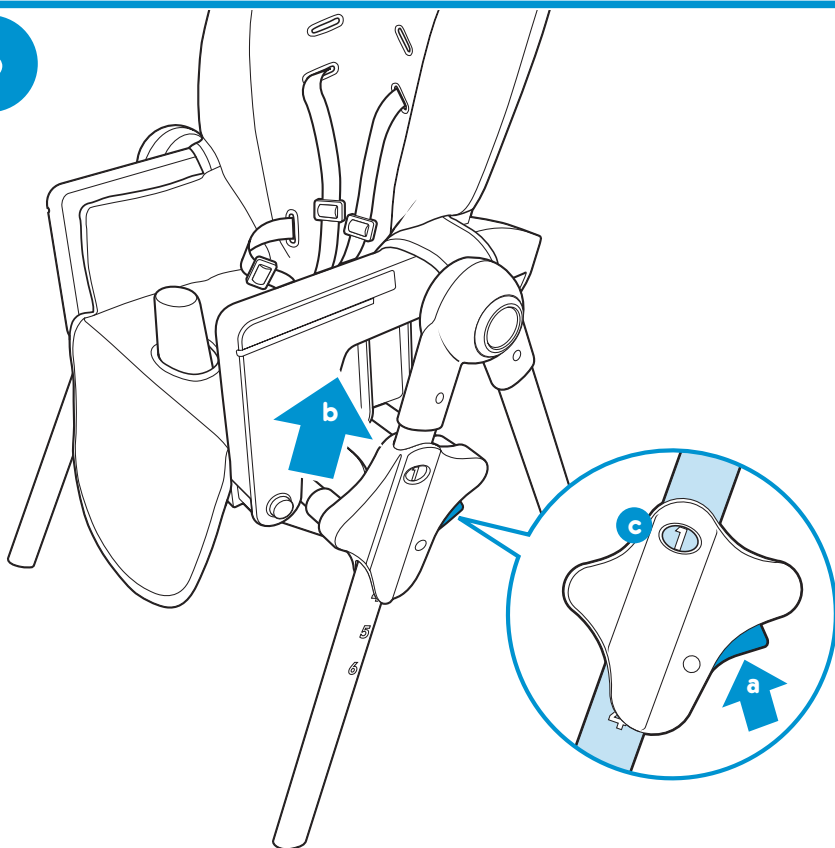
You will also need cross point screwdriver

2

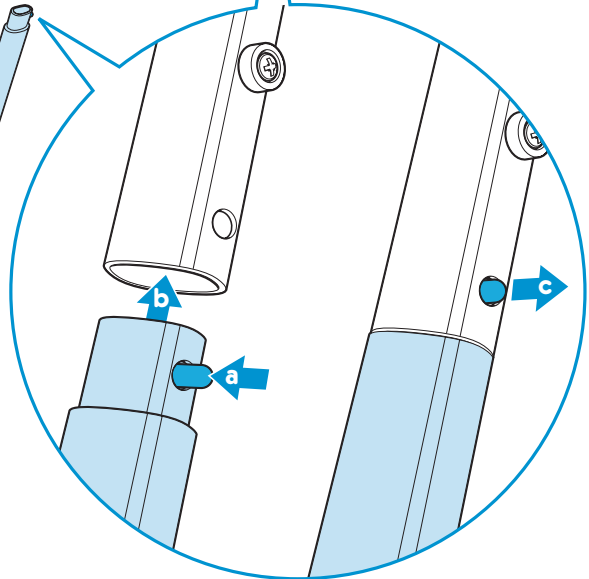
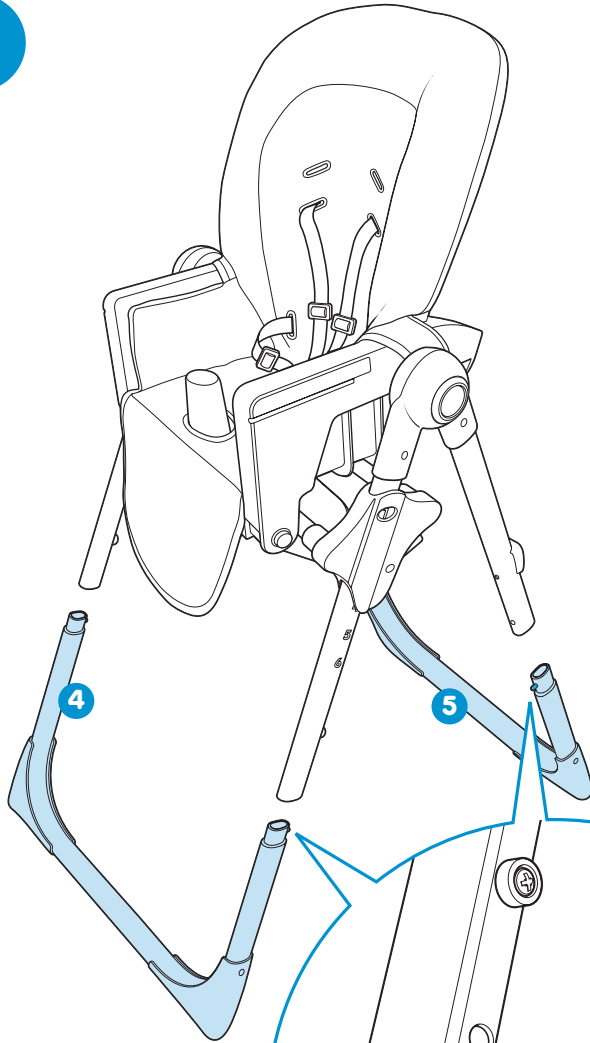




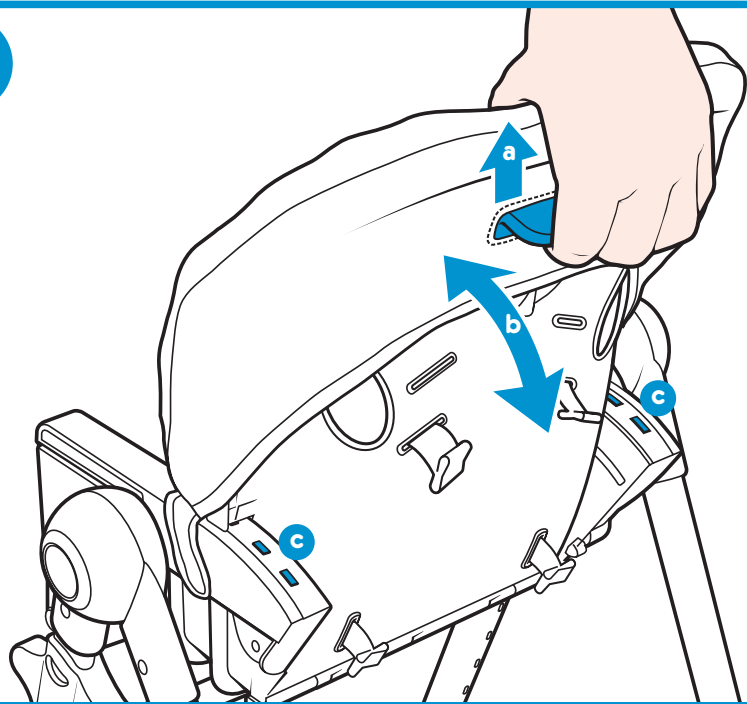
3



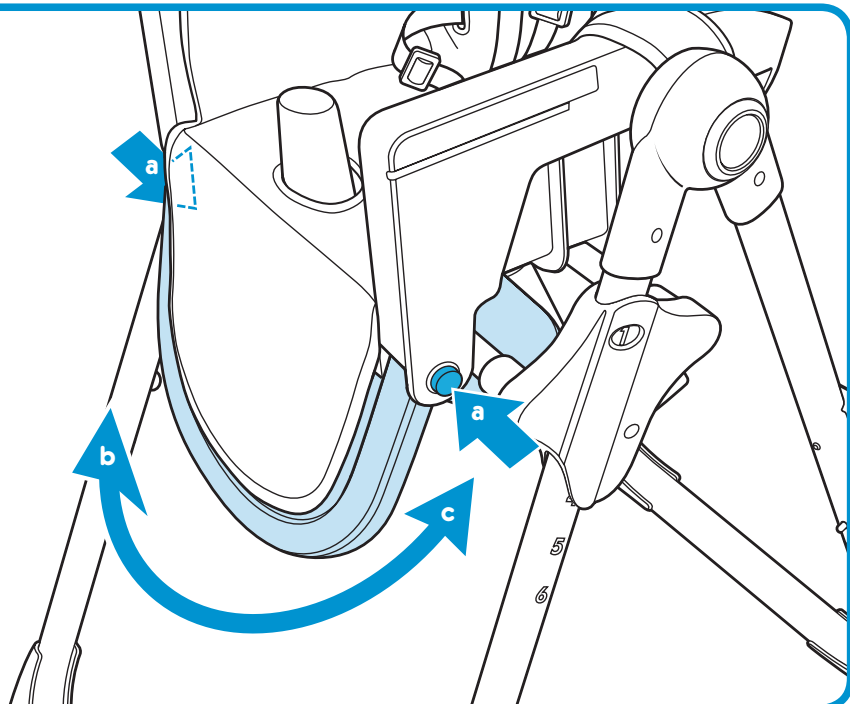
4



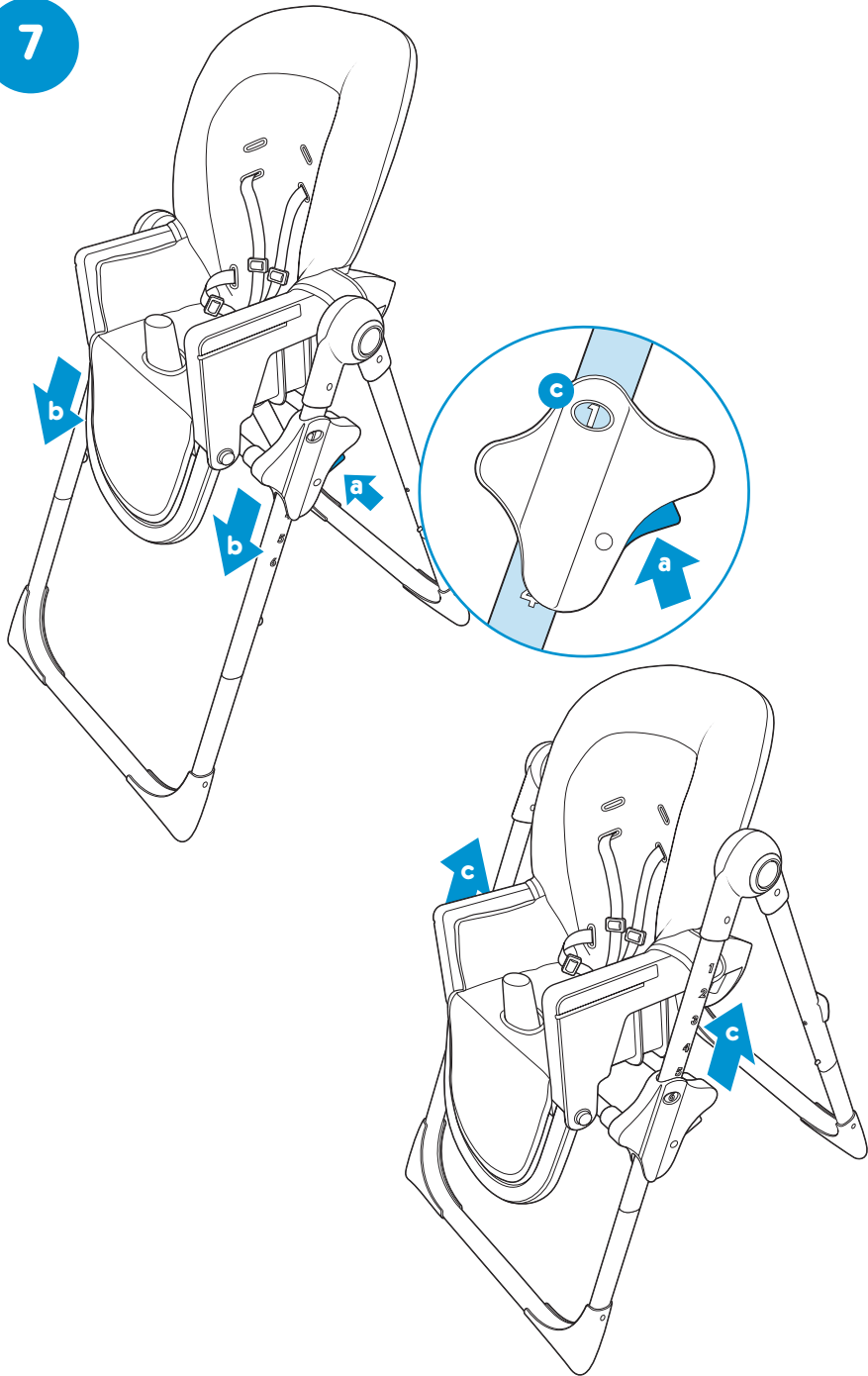
5



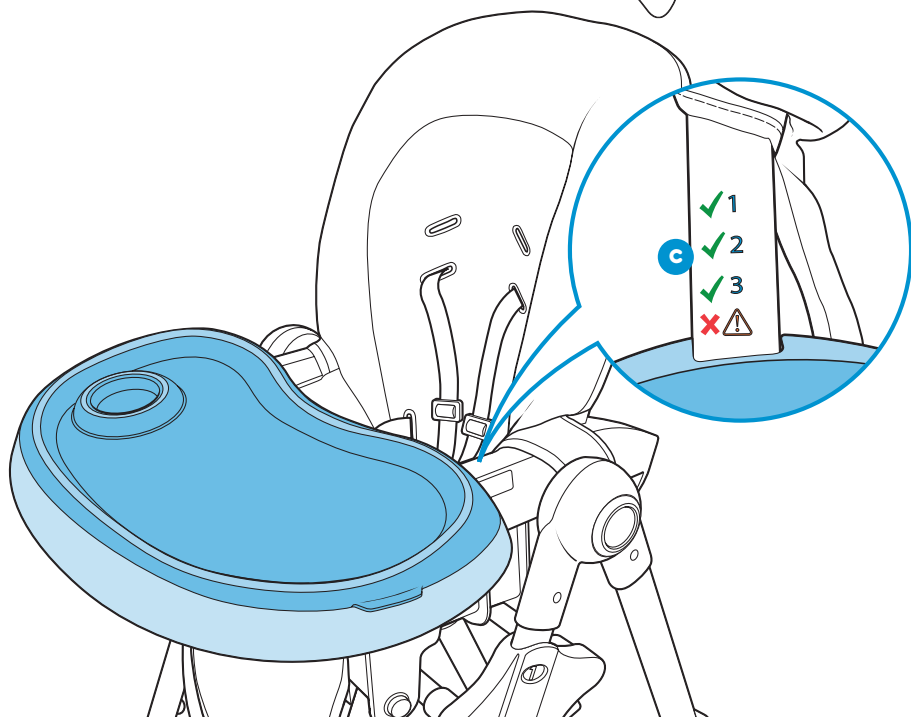
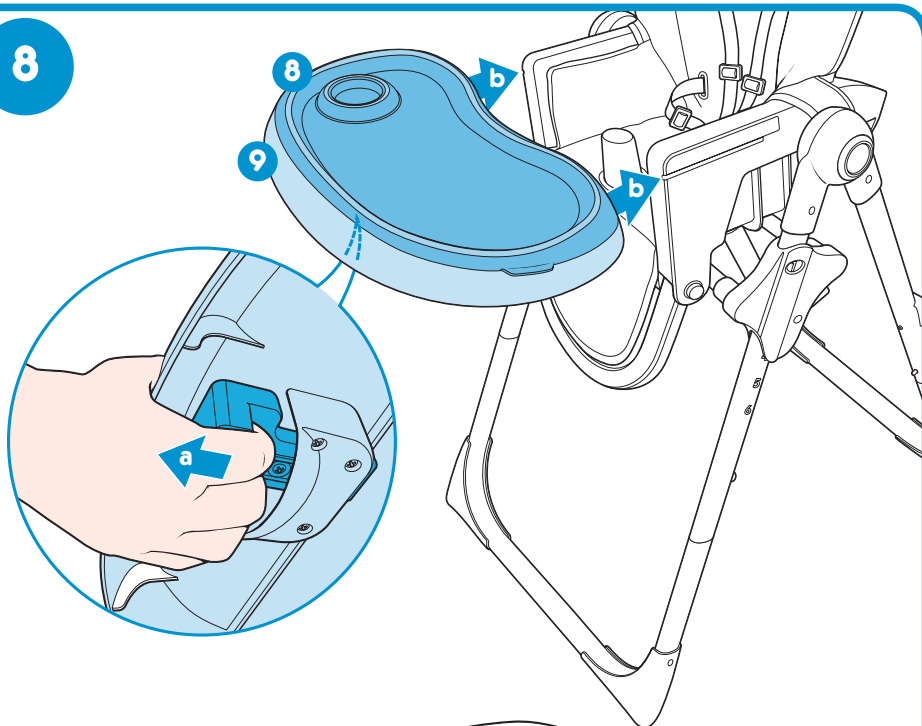
6



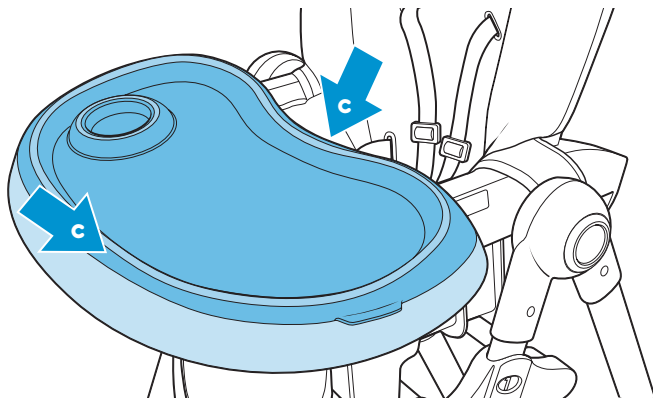
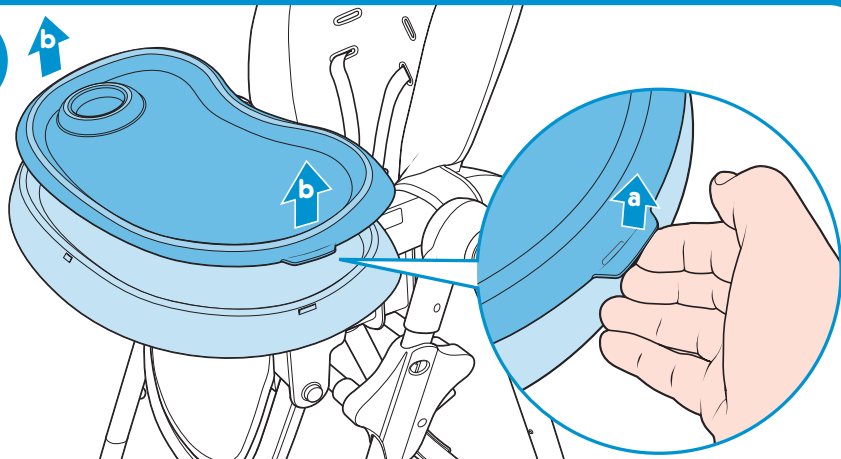
7



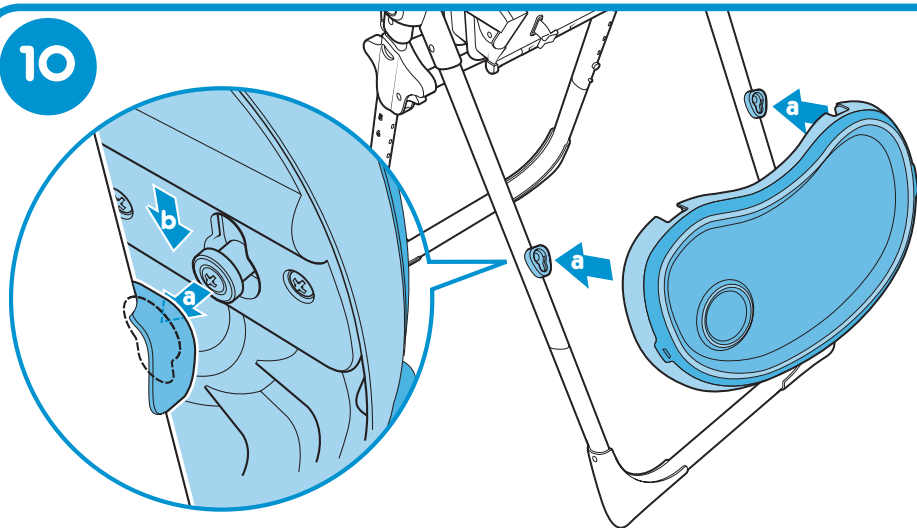
8



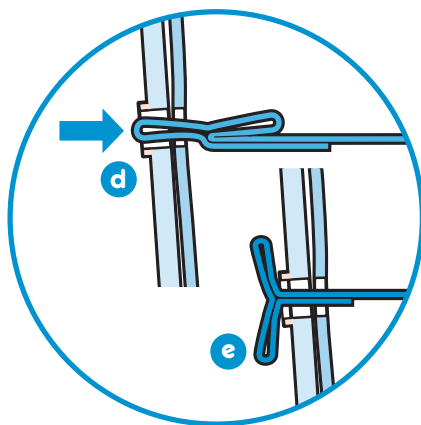
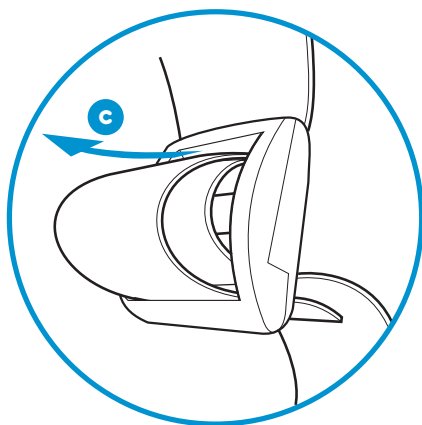
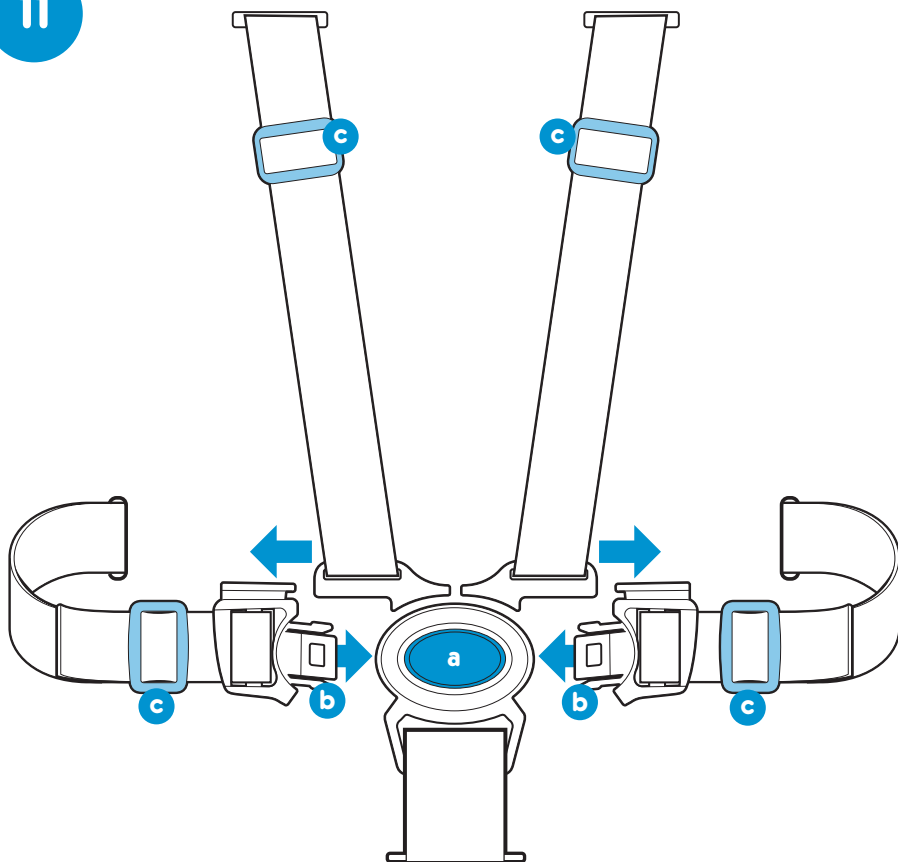
9

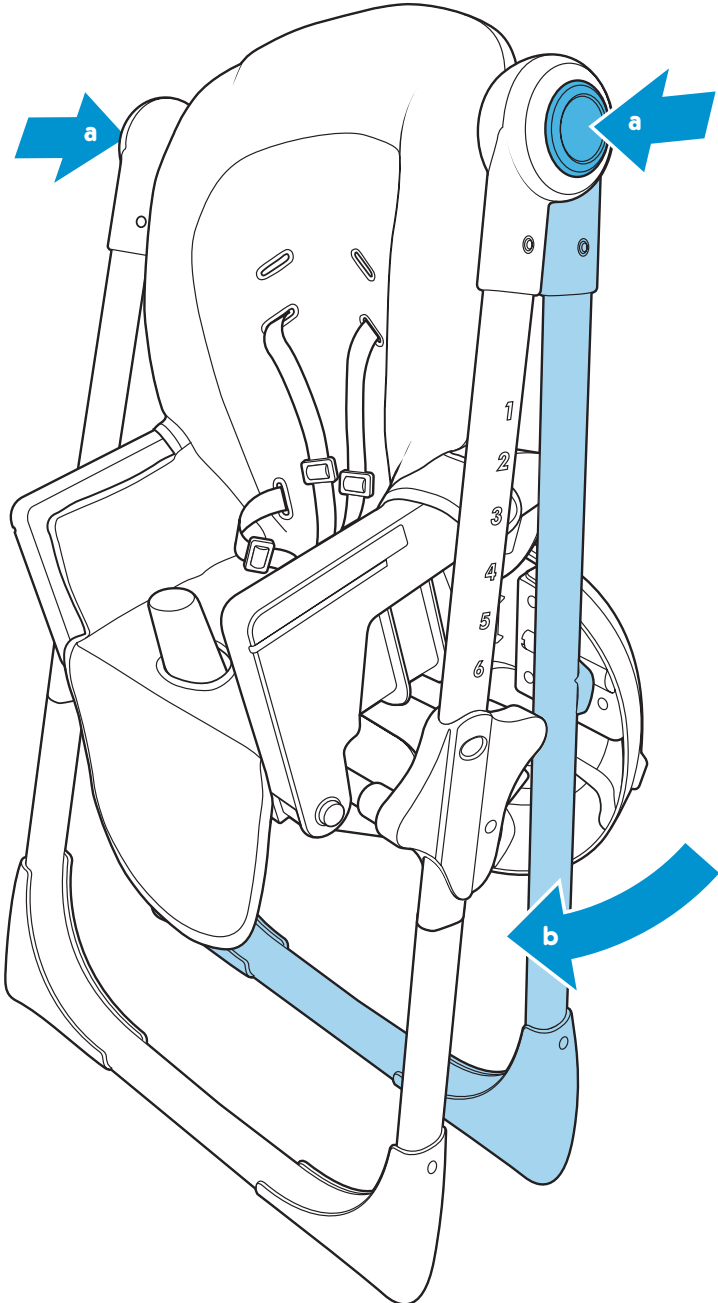


10



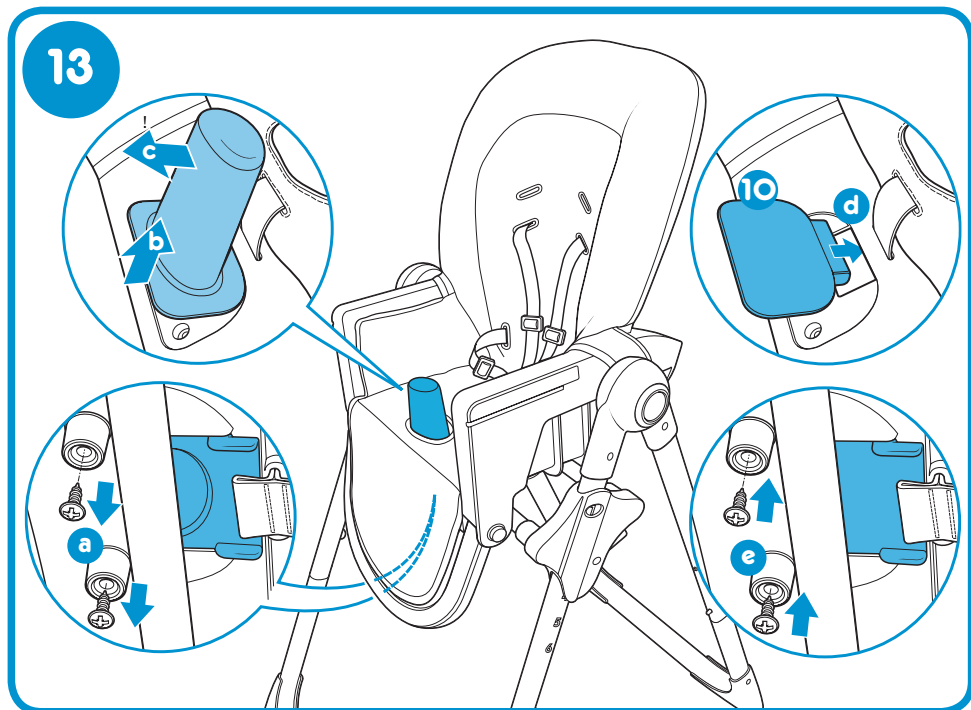
11



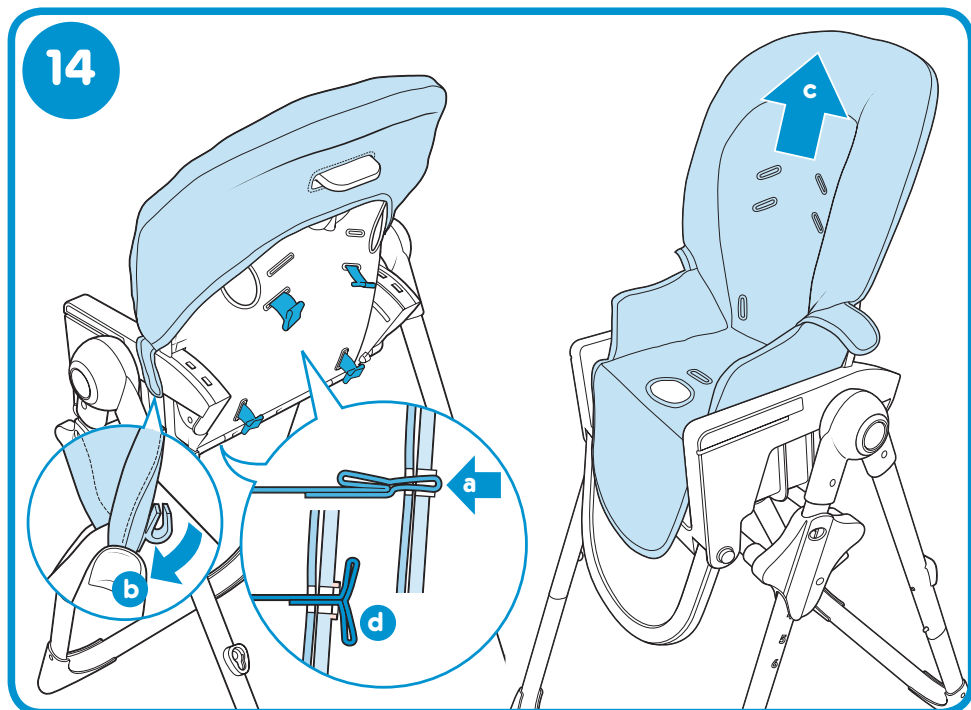




13



14



# SIGN UP SIGN UP



join our VIP club...  
catch onto the newsletter at [cosatto.com](http://cosatto.com)

Keep in the lovely loop...  
for regular crazy competitions, exclusive  
viewings of future stuff, grooviest giveaways  
and exclusive invitations. Tell your friends too...



recommend  
**3** friends  
to  
win...

scan the QR  
code to enter



log onto  
[cosatto.com/3towin](http://cosatto.com/3towin)

Join the  
brightest  
anbase



follow us on...  
[facebook.com/clubcosatto](http://facebook.com/clubcosatto)

tweet  
tweet



join the conversation...  
[@Cosatto\\_Tweets](https://twitter.com/Cosatto_Tweets)

